



LEO

CURRENT REGULATOR



- ✓ Tension controller in closed-loop and open-loop systems
- ✓ Current regulator in closed-loop systems
- ✓ Versatility
- ✓ Reliability
- ✓ Compact design
- ✓ Ease of use and calibration

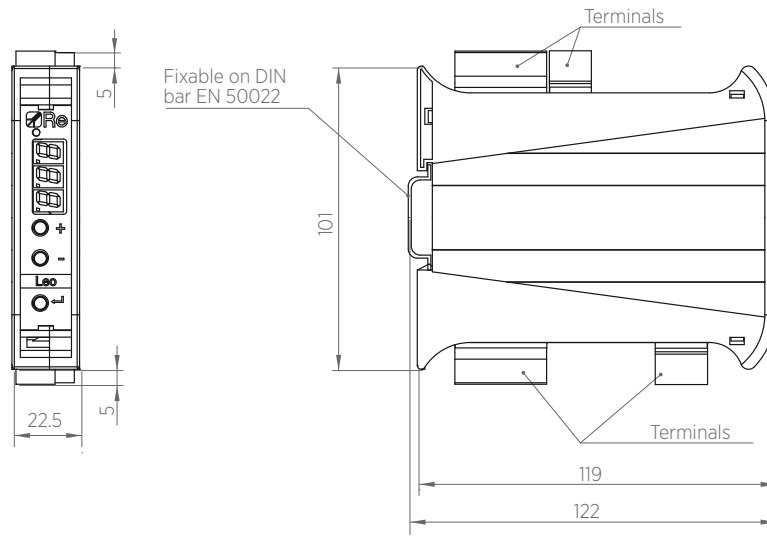
Leo is a microprocessor controlled digital current regulator which guarantees versatility, reliability and ease of use.

Leo can be used in closed-loop as current regulator combined with a tension controller (t-one, T-two, PLC); as tension controller in open-loop systems combined with a diametral sensor or potentiometer or as tension controller in closed-loop systems proportional-derivative, with dancing roller and potentiometer

Leo guarantees brake/clutch torque stability irrespective of variations in the condition of the brake thanks to its internal current loop.

The device can also cancel any residual magnetism (Antiresidual function) making it suitable for use in low torque applications without limitations.

TECHNICAL DRAWING



TECHNICAL DATA

Power supply	24 Vdc
Power	35 W max
Analog input 0÷10 Vdc	1 brake control or dancing roller potentiometer
Digital inputs 24 Vdc	1 brake unlock (zero) 1 priority stop
Output 10 Vdc	1 potentiometer supply
PWM output -1÷1 A	1 electromagnetic brake
Weight	170 g
Working temperature	0÷50°C
IP protection class	IP20
Dimensions	22,5 x 101 x 119 mm

*Data are subject to technical change without notice